

S&W Supply, LLC

5308 Timberline Trail
Rapid City SD 57702-1804
(605) 341-4412
whiz@swwsupply.com
Website: www.swwsupply.com



SUGGESTED RETAIL PRICE LIST APPLICABLE FORM

March **2024**
Ver 42.6

12GA REMOVABLE TRIGGER GROUP MODELS

Note: Perazzi Italy raised prices on 1-1-2023 10%

Prices subject to change without prior notice, inquire at the time of order.

RETURNS MAY BE ASSESSED A 20% RESTOCKING FEE

IF YOU DON'T SEE IT, I MAY STILL HAVE IT OR CAN GET IT - MOST TM PARTS ALSO AVAILABLE

Jim White, owner - ATA NRA SDSTA Life Member

Check my website for parts, prices, schematics and repair instructions



Part #	Description	Price \$	Part #	Description	Price \$	Part #	Description	Price \$
4103	→ Top Lever	454.00	4163	→ Bridle	48.00	4331	→ Lock Pin for Latch Plate Lever	10.00
4104	→ Action Block & "hump back" for MT	209.00	4164	→ Cocking Foot	67.00	4352	→ Stock Bolt Assembly Stainless -complete	37.00
4105	→ Safety-●	141.00	4165	→ Right Hammer flat Spring	64.00	4353	→ Lock washer	10.00
4106	→ Link Trigger Release	67.00	4166	→ Left Hammer flat Spring	64.00	4354	→ Plain Washer	10.00
4107	→ Lock Trigger Plate	56.00	4167	→ Connector Spring	10.00	4355	→ Retainer Guide	17.00
4108	→ Top Lever Release Pin	18.00	4169	→ Sear Spring	10.00	4356	→ Recoil Pad, Perazzi (S, M, L)-Spl Ord	65.00
4109	→ Right Ejector Trip rod	56.00	4170	→ Connector plunger	10.00	4358	→ Forearm Lock Screw	13.00
4110	→ Left Ejector Trip rod	56.00	4171	→ Connector Pin	13.00	4359	→ Forearm Lock Bolt	30.00
4111	→ Locking Piece Top Lever	79.00	4172	→ Connector post Pin	13.00	4403	→ Adjustable Trigger - upper part	150.00
4112	→ Cocking Bar	160.00	4173	→ Pivot Trip-Coil Spring removal Trigger Grp	13.00	4404	→ Adjustable Trigger Blade	150.00
4113	→ Top Firing Pin (28/410 ga \$4 higher)	78.00	4174	→ Bridle Pin	13.00	4405	→ Adjustable Trigger Tab	121.00
4114	→ Bottom Firing Pin (28/410 ga \$4 higher)	78.00	4175	→ Sear Retainer Pin	13.00	4407	→ Trigger Guard for Adjustable Trigger-●	150.00
4115	→ Pivot-●	34.00	4176	→ Trigger Guard Pin	13.00	4408	→ Sear Trip Pin	41.00
4116	→ Safety Spring	34.00	4177	→ Sear Retainer Sleeve	13.00	4409	→ Trigger Return Spring Plunger	13.00
4117	→ Cocking Bar Spring/Top Lever Spring	10.00	4178	→ Sear plunger	13.00	4411	→ Trigger Return Spring	10.00
4118	→ Firing Pin Return Spring -	10.00	4203	→ Right Ejector, fitting REQUIRED	249.00	4412	→ Selector Pin Spring (optional)	14.00
4119	→ Trigger Plate Lock Pin Spring	11.00	4204	→ Left Ejector, fitting REQUIRED	249.00	4414	→ Adjustable Trigger Tab Pin	13.00
4121	→ Top Lever Return Spring	13.00	4205	→ Ejector Spring plunger	13.00	4415	→ Adjustable Trigger Tab Pin Spring	10.00
4122	→ Trigger Plate Lock Cap	17.00	4206	→ Ejector Spring	10.00	4419	→ Trigger for External Selector-●	160.00
4123	→ Cocking Bar Check Screw	10.00	4207	→ Ejector Lock	23.00	4420	→ External Selector Tab-●	128.00
4124	→ Safety Spring Screw	10.00	4208	→ Ejector Retainer Pin	10.00	4421	→ Connector for External Selector Tab	91.00
4126	→ Safety button Pin	10.00	4212	→ Front Ivory Sight - Genuine Perazzi	23.00	4422	→ Pin for External Selector Tab-●	13.00
4127	→ Link Pin	10.00	4212MB	→ Mid-Bead Threaded	23.00	4456	→ Adjustable Trigger upper part-●	79.00
4128	→ Lock Pin, Top Lever & Firing Pins	13.00	4306	→ Forearm cocking cam Lock Screw	20.00	4458	→ Release for External Selector-●	94.00
4129	→ Plunger Trip (130 Spring: \$10.00)	10.00	4307	→ Cocking Bar cam	61.00	4471	→ Connector Pin for External Selector	17.00
4131	→ Ejector Stop Spring Guide	6.00	4308	→ Right Ejector Sear	48.00	419U	→ Setback Trigger for Selectable Trigger●	382.00
4132	→ Top Lever Release Trip	24.00	4309	→ Ejector Sear Spring	10.00	3190	→ Full Trigger/Firing Pin Parts Kit w/ Case	292.00
4133	→ Top Lever Lock Trip	24.00	4310	→ Forearm Screw (Type III) - LARGE	18.00	3196	→ Genuine Perazzi Stock Tool - new style	59.00
4134	→ Top Lever Lock Pin Return Spring	10.00	4313	→ Ejector Sear plunger	10.00	6161	→ MT6 Right Hammer for Coil Springs	201.00
4135	→ Top Lever stop Plate Release Pin	28.00	4314	→ Ejector Sear Pin	10.00	6162	→ MT Left Hammer for Coil Springs	201.00
4136	→ Top Lever Stop Plate	48.00	4315	→ Forearm Screw (Type III) - SMALL	15.00	6166	→ Right / Left Hammer Coil Spring	17.00
4137	→ Top Lever Stop Plate Rel Spg Plunger	10.00	4316	→ Ejector Trip	61.00	6172	→ Sear Trip Pivot Pin	13.00
4145	→ Under Safety	9.00	4317	→ Left Ejector Sear	48.00	6193	→ Plunger for Coil Springs	27.00
4155	→ Trigger Guard	150.00	4121	→ Forearm Tension Bushing	13.00	Trigger	→ New Pull/Pull Perazzi Trigger	2,048.00
4156	→ Trigger Blade (old or new styles)	189.00	4322	→ Catch Bolt	48.00	HST	→ Hammer Spring Tool	45.00
4156SB	→ Trigger Blade, Set-Back Gold/Nickle	379.00	4323	→ Cocking Bar Lock Screw	13.00	P Lube	→ Perazzi Special Anti-Gall Lube	20.00
4157	→ Right or Left Release (specify)	91.00	4324	→ Catch Bolt Spring	23.00	8195	→ Perazzi HARD ABS Trigger Case-●	75.00
4158	→ Connector	106.00	4326	→ Latch Plate	152.00	44088	→ Coil Spring Tool for MT/MS/MX2000S	75.00
4159	→ Right Sear	133.00	4327	→ Latch Plate Lever	74.00	TD	→ Thumb Drive - Comp. Perazzi Repair Inst.	45.00
4160	→ Left Sear	133.00	4328	→ Lock Screw for Latch Plate Lever Spg	10.00	SPACER	→ Spacer Kit for Perazzi Combs	59.00
4161	→ Right Hammer for flat Springs	201.00	4329	→ Latch Plate Pin	10.00	SNAP CAP	→ Genuine Perazzi Snap Caps - each	29.00
4162	→ Left Hammer for flat Springs	201.00	4330	→ Return Spring Latch Plate Lever	28.00	●	Special Order/Direct Shipment, can take extra week(s)	Questions, call

I specialize in shipPing Perazzi parts all over the world. Canadian shipPing via USPS is normally about the same as for the lower 48 states. All packages are shipped insured with delivery tracking through USPS. If you provide an email address, you will receive tracking information. I ship extremely fast. If you order on Saturday, I can usually have it in your hands on Monday. I do not ship using customer's shipPing accounts, sorry. Being a shooter myself, I realize that time is of the essence. Check my website (listed above) for current pricing - Perazzi prices fluctuate often. I have been servicing Perazzi shotguns and Triggers and Ponsness/Warren reloaders for nearly 40 years. All packages shipped insured w/ delivery confirmation. I believe in EXTREMELY FAST SERVICE. If I have it, it ships within 24 hours. Being a shooter myself I realize that time is of the essence. Check my website (listed above) for current pricing - but be aware that Perazzi prices fluctuate. I have been a AA-27 yarder for 40 years. New customer checks may require clearing prior to shipPing. **EVEN IF NOT LISTED, I PROBABLY HAVE THE PARTS IN STOCK. IF YOU NEED IT I'LL GET IT FOR YOU!** I am usually in my shop 7 days a week - call at odd hours and I just might answer.

DETAILS OF 12GA MODELS WITH REMOVABLE TRIGGER GROUPS

Compliments from: Jim "Whiz" White

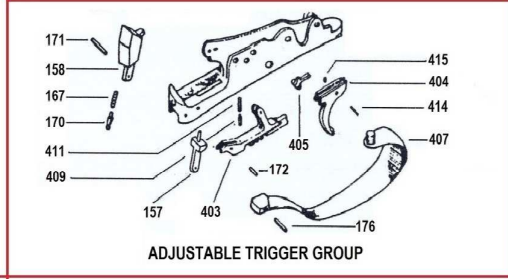
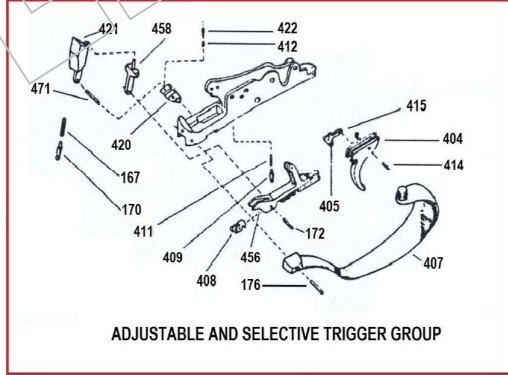
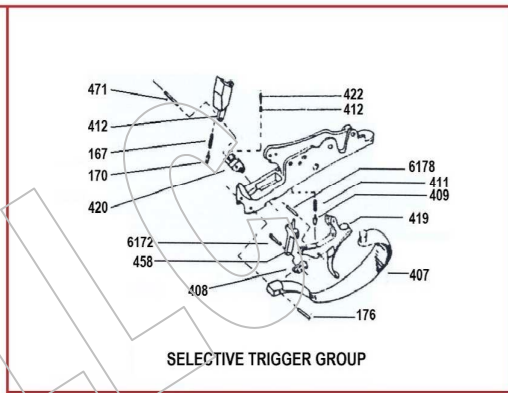
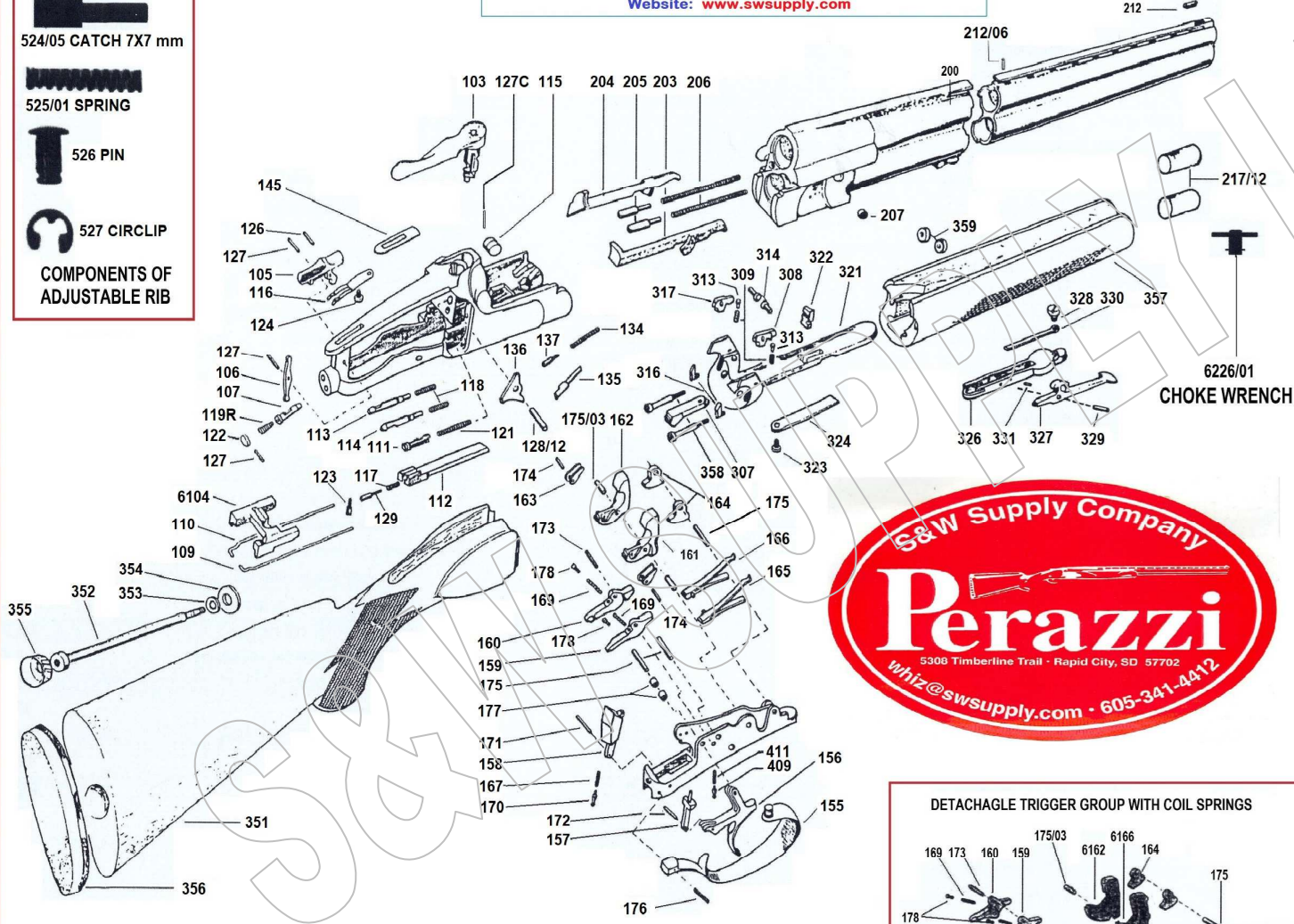
S&W Supply, LLC

5308 Timberline Trail - Rapid City SD 57702-1804

Voice/AM/FAX: (605) 341-4412 - Email: perazzi@swsupply.com

Website: www.swsupply.com

-  524/06 CATCH 11X11 mm
 -  524/05 CATCH 7X7 mm
 -  525/01 SPRING
 -  526 PIN
 -  527 CIRCLIP
- COMPONENTS OF ADJUSTABLE RIB



6226/01
CHOKE WRENCH

I normally carry the entire parts for all Perazzi MX and TM guns. If I do not have it in stock I am able to get these parts from Perazzi on a preferential basis.

Call if you are unsure of what exact part you may need. I have been in the Perazzi business, a well-traveled competitive ATA 27 yarders for 40 years.

