



* CHANGING FIRING PIN IN TM GUNS

REFER TO THE SCHEMATIC BELOW FOR REFERENCES

© James L. White, S&W Supply Company, 2017

1. Remove trigger from Receiver.

You will be removing the Firing Pin by the following instructions and be certain that the LEVER is in its HOME POSITION (6 o'clock).

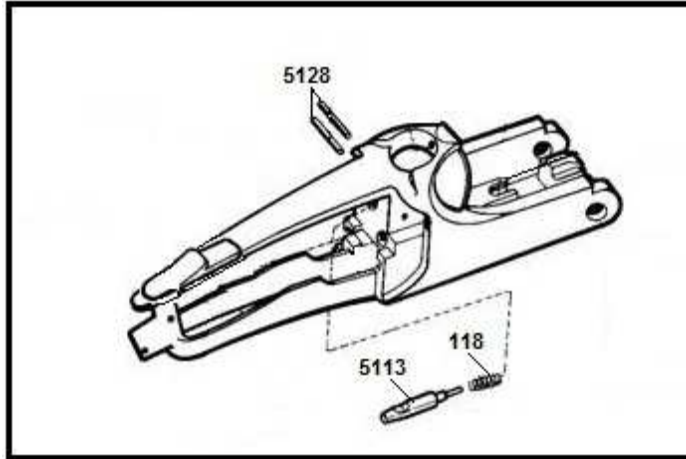
2. Drive out the top Firing Pin Retainer Pin (there are two identical pins – you will drive out the TOP pin). This is shown on the attached schematic as pin #5128.
3. Remove Firing Pin and remove its small inner recoil spring. Many times this recoil spring will remain in the Receiver. Use a Q-Tip and spin it to remove the coil. You **MUST** remove this coil (and you will also want to clean this cavity thoroughly). Broken parts may still be in the cavity, so check the coil spring.
4. **BE CAREFUL NOT TO REMOVE THE BOTTOM 5128 pin.** This pin holds in the Top Lever. You do not want to remove the Top Lever as this introduces several issues not listed here.
5. **NOTE:** Some folks unknowingly attempt to install the wrong firing pin in the TM guns. The correct pin is distinguished by its milled-out portion located near the rear of the back end of the firing pin. This milled-out area should be perpendicular to the centerline of the firing pin. It is this area that permits the #5128 cross pins to slide into place and keep the firing pin from coming out of the receiver. If your pin's milled-out area is at an angle, you have a firing pin for the MX guns, and not the TM guns. **DO NOT INSTALL THIS PIN IN A TM.**

RECOMMENDATIONS: Thoroughly clean all parts in lacquer thinner and oil prior to reinsertion. I use Rem Oil.

S&W Supply LLC

5308 Timberline Trail • Rapid City SD 57702 • ☎ (605) 341-4412 Phone/Answering Machine

✉ whiz@swsupply.com • Website: <http://www.swsupply.com>



S&W Supply LLC

5308 Timberline Trail • Rapid City SD 57702 • ☎ (605) 341-4412 Phone/Answering Machine

✉ whiz@swsupply.com • Website: <http://www.swsupply.com>