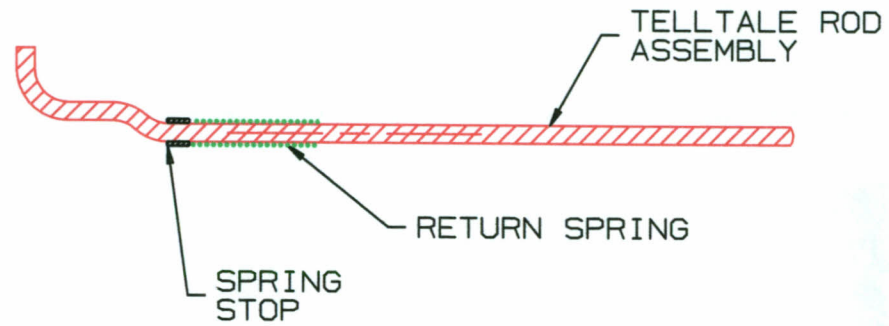
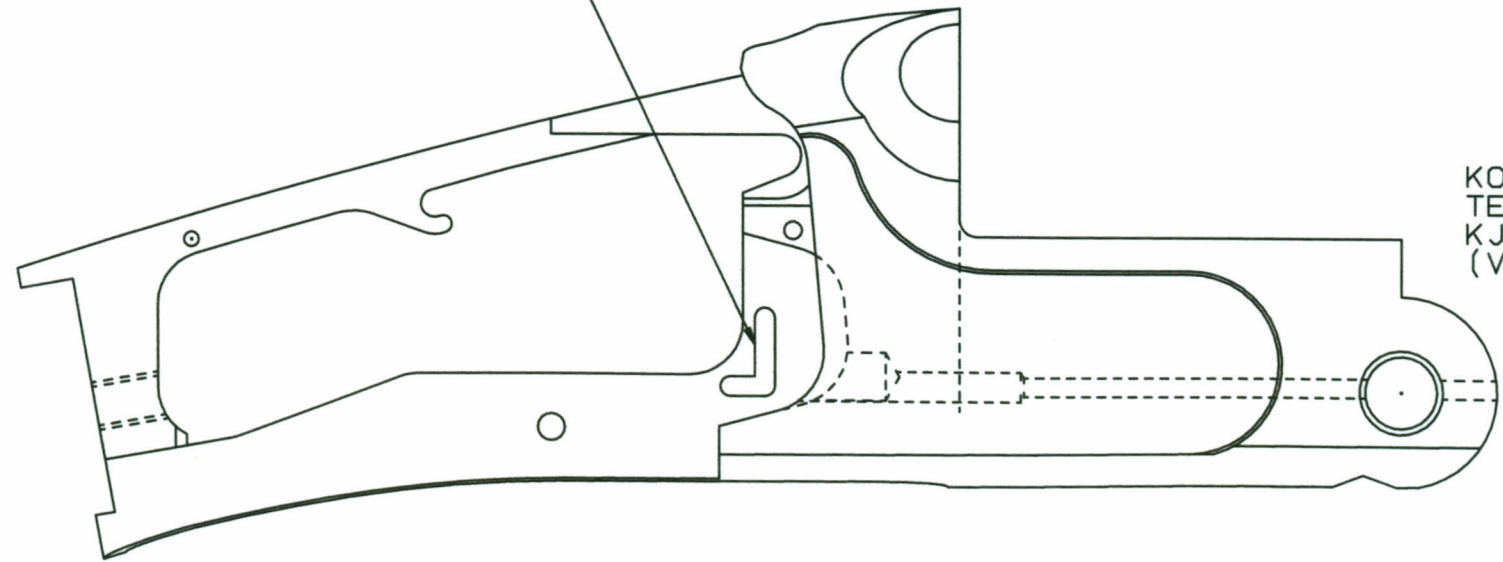


SHOWN EXTENDED (.04)

SHOWN RETRACTED (FLUSH W/ RECEIVER)



TELLTALE ROD IS ASSEMBLED INTO "L" SHAPED SLOT. TO DIS-ASSEMBLE, PUSH ROD FORWARD & ROTATE LEG UP INTO VERTICAL LEG OF THE "L" SHAPED SLOT & RETRACT BACKWARDS OUT OF RECEIVER



KOLAR ARMS
TELLTALE (TRIP) RODS
KJS, 5-2013
(VANICE85)

CLEAN GREASE OFF ROD & OUT OF HOLE WITH A PIPE CLEANER & SOLVENT. RE-ASSEMBLE WITH LIGHT COAT OF OIL ONLY