

S&W Supply, LLC

5308 Timberline Trail

Rapid City SD 57702-1804

☎ (605) 341-4412

✉ whiz@swsupply.com

Website: www.swsupply.com



Perazzi raised prices 3% - I raise them only 2.6%

Jim White, owner - ATA NRA SDSTA Life Member

SUGGESTED RETAIL PRICE LIST APPLICABLE FROM – FEBRUARY 2018

DETAILS OF 12GA TM9 – TM9X SINGLE BARREL MODELS

Rev 2.0

Note: When placing an order for spare parts, please indicate the part number, its full description and 2-3 letters on barrel's underside.

Prices subject to change without prior notice, inquire at the time of order. **RETURNS MAY BE ASSESSED A 20% RESTOCKING FEE.**

IF YOU DON'T SEE IT, I MAY STILL HAVE IT OR CAN GET IT- TM PARTS ALSO AVAILABLE

Check my website for parts, prices, schematics and repair instructions



Part	Description	Price \$	Part	Description	Price \$	Part #	Description	Price \$
106	Link, Trigger Release	\$57.04	5176	Trigger Guard Pin	\$11.07			
107	Lock Trigger Plate	\$47.52	5200	Barrels (in gun price list)				
116	Safety Spring	\$28.70	5203	Ejector (95+% fitted with rim cut)	\$204.28			
117	Cocking Bar Spring	\$8.11	5207	Ejector Lock	\$19.63			
118	Firing Pin Return Spring	\$7.90	5208	Ejector Lock Spring	\$7.58			
122	Trigger Plate Lock Cap	\$13.71	5301	Iron Forearm (in gun price list)				
124	Safety Spring Screw	\$8.11	5304	Forend Latch	\$15.94			
126	Safety Bottom Pin	\$8.11	5305	Forend Rod Spring	\$5.29			
127	Link Pin	\$8.11	5307	Cocking Bar Cam	\$52.28			
155	Trigger Guard	\$128.26	5309	Ejector Sear Spring	\$8.11			
352	Stock Bolt, stainless-steel & washer	\$26.92	5311	Forend Pin	\$15.18			
353	Lock Washer	\$8.11	5312	Forend Pin for Ejector release Plate	\$5.47			
354	Plain Machined Washer	\$8.11	5313	Ejector Sear Plunger	\$8.11			
355	Retainer Guide	\$14.24	5317	Left Ejector Sear	\$41.18			
356	Recoil Pad	\$43.61	5318	Forend Opening Button Guide	\$77.35			
412	Selecter Spring (optional)	\$11.91	5319	Forend Opening Button	\$26.51			
526	Pivot for Adjustable Rib	\$23.33	5320	Opening Lock Pin	\$13.42			
527	Lock for Adjustable Rib Pivot	\$3.14	5321	Iron Forend Tensioning Screw	\$10.26			
5104	Action Block	\$170.71	5322	Catch Bolt	\$41.18			
5108	Top Lever Release Pin	\$14.24	5325	Cocking Bar Spring	\$7.90			
5109	Right Ejector Trip Rod	\$48.61	5333	Iron Forend Lock Bolt	\$9.80			
5110	Left Ejector Trip Rod	\$48.61	5351	Stock (in gun price list)				
5111	Top Lever Locking Piece	\$63.89	5357	Forend (in gun price list)				
5112	Cocking Bar	\$136.29	6166	Hammer Coil Spring	\$12.83			
5113	Firing Pin	\$64.43	6193	Hammer Spring Plunger	\$24.28			
5121	Top Lever Return Spring – OUTER	\$11.02	9103	Top Lever	\$387.28			
5123	Cocking Bar Check Screw	\$8.11	9105	Safety	\$120.44			
5128	Lock Pin for Top Lever & Firing Pin	\$11.07	9156	Trigger Blade	\$159.02			
5129	Plunger Trip	\$8.11	9160	Left Sear	\$109.66	KITR	Complete Spring Rebuild Kit	100.00
5130	Top Lever Return Spring – INNER	\$12.68	9190	Coil Spring Perch	\$145.28	CD	CD of all web-site instructionf and lists	10.00
5131	Ejector Stop Spring Guide	\$4.29	28205	Ejector Spring Plunger	\$15.65	HST	Hammer spring tool -NEWEST DESIGN	35.00
5132	Ejector Trip	\$20.26	28206	Ejector Spring	\$13.55	PTC	Perazzi HARD trigger case	60.77
5133	Top Lever Stop Trip	\$39.15	119R	Trigger Plate Lock Pin	\$8.11	ST	Perazzi Stock & Forend Tool	50.47
5135	Top Lever Stop Plate Release Pin	\$27.98	169/02	Sear Spring	\$8.14	SOCK1	Genuine Perazzi Stock-Receiver Sleeve	16.30
5136	Top Lever Stop Plate	\$41.18	212/01	Front Sight (Ivory – Genuine Perazzi)	\$19.66			
5162	Left Hammer for Flat Springs	\$172.37	212/06	Middle Bead	\$19.66			
5164	Cocking Foot	\$70.40	524/05	Adjustable Rib Tab 7x7	\$33.47			
5171	Connector Pin	\$11.07	524/06	Adjustable Rib Tab 11x11	\$33.47			
5175	Sear Retainer Pin	\$11.07	525/1	Spring for Adjustable Rib Tab	\$8.64			

I carry nearly ALL TM parts.
If you do not see it listed here, I probably have it in inventory, and if out, I can usually have Perazzi Italy ship it to me.
I am Perazzi's largest parts distributors and responsible for the now available TM parts here in the US.

All parts in stock are shipped immediately.
My goal is very fast shipments.

Look for the new shotgun shooting website
Coming soon: shotgun-sports.com

On 2-1-2018 Perazzi Italy raised prices 3%
I only raised prices 2.6%

>>> NOTE <<<

RETURNS NOT ACCEPTED AFTER
30 DAYS FROM INVOICE SHIP DATE

NO REFUNDS ON SHIPPING CHARGES

I specialize in shipping Perazzi parts all over the world. Canadian shipping via USPS is normally about the same as for the lower 48 states. All packages are shipped insured with deliver tracking through USPS. If you provide an email address, you will receive tracking information. I ship extremely fast. If you order on Saturday, I can usually have it in your hands on Monday. I do not ship using customer's shipping accounts, sorry. Being a shooter myself, I realize that time is of the essence. Check my website (listed above) for current pricing - Perazzi prices fluctuate often. I have been servicing Perazzi shotguns and triggers and Ponsness/Warren reloaders for nearly 40 years. bvor at a very reasonable rate. Shipping to Canada is normally as cheap as to the lower 48 states. All packages shipped insured w/ delivery confirmation. I believe in EXTREMELY FAST SERVICE. If I have it, it ships within 24 hours. Being a shooter myself I realize that time is of the essence. Check my website (listed above) for current pricing - but be aware that Perazzi prices fluctuate. I have been a AA-27 yarder for 40 years. Checks may require clearing prior to shipping. **EVEN IF NOT LISTED, I PROBABLY HAVE THE PARTS IN STOCK. IF YOU NEED IT I'LL GET IT FOR YOU!**



TM9 - TM9X ADJUSTABLE RIB

524/06 CATCH 11X11 mm

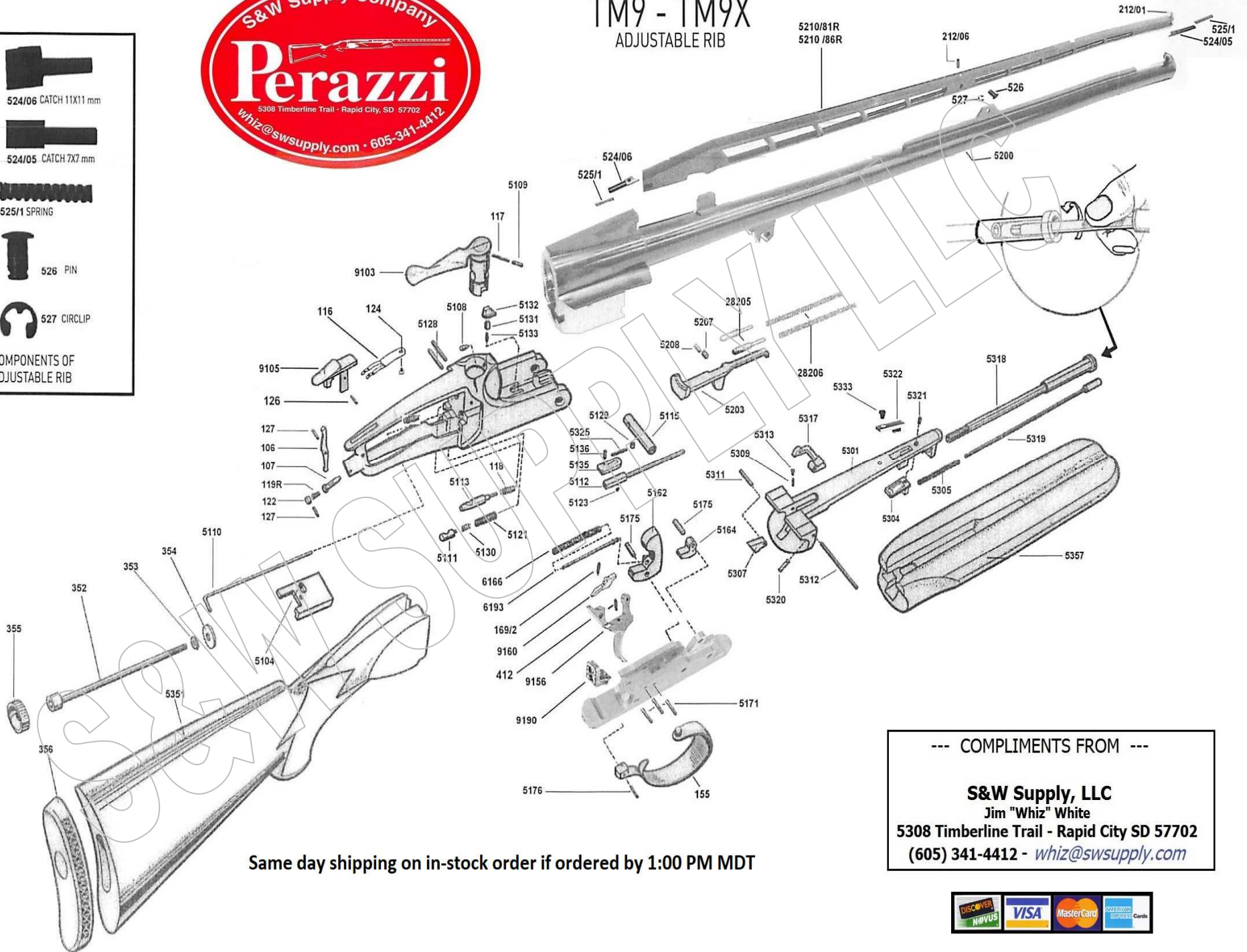
524/05 CATCH 7X7 mm

525/1 SPRING

526 PIN

527 CIRCLIP

**COMPONENTS OF
ADJUSTABLE RIB**



Same day shipping on in-stock order if ordered by 1:00 PM MDT

--- COMPLIMENTS FROM ---

S&W Supply, LLC
 Jim "Whiz" White
 5308 Timberline Trail - Rapid City SD 57702
 (605) 341-4412 - whiz@swsupply.com

