

*Note: Perazzi Italy raised prices 3% 1-1-2021 (I finally got around to it here on 3-3-2021)*

Prices subject to change without prior notice. RETURNS MAY FACE A 20% RESTOCKING FEE – SPECIAL ORDER ITEMS WILL

IF YOU DON'T SEE IT, I MAY STILL HAVE IT OR CAN GET IT- TM PARTS ALSO AVAILABLE

Website: [www.swsupply.com](http://www.swsupply.com)

Jim White, owner - ATA NRA SDSTA Life Member

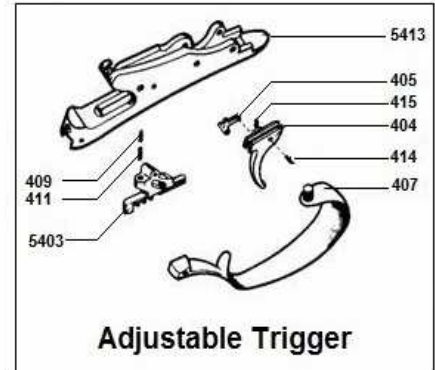
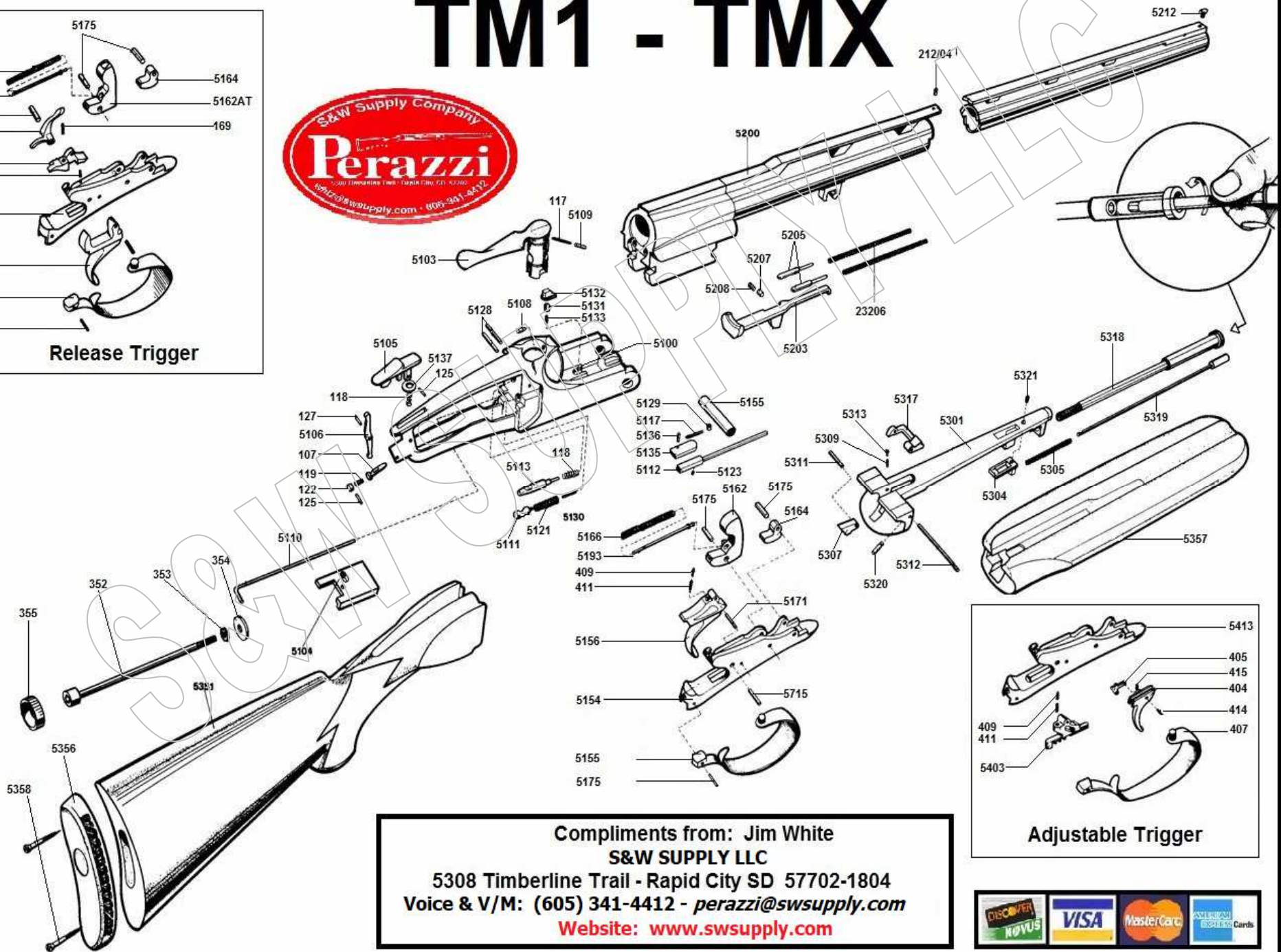
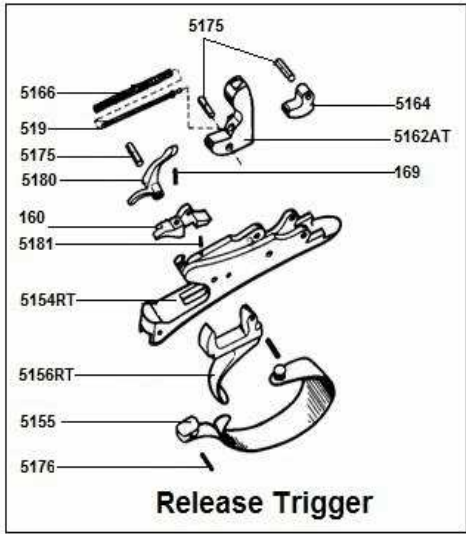
Check my website for parts, prices, schematics and repair instructions



Part	Description	Price	Part	Description	Price	Part #	Description	Price
117	Top Lever Lock Plunger Spring	8.00	5176	Trigger Guard Pin	11.00			
122	Trigger Return Spring Plunger	12.00	5193	Trigger Coil Spring Guide	29.00			
411	Trigger Return Spring	8.11	5203	Ejector - limited supply new & old styles	211.00	HTC	Perazzi Hard Trigger Case – BLACK	65.00
5103	Top Lever, Special Order, call first	400.00	5205	Ejector Coil Spring Plunger	16.00	HST	Hammer spring tool -NEWEST DESIGN	35.00
5104	Action Block	178.00	5206	Ejector Coil Spring (2 red.- #28206)	8.00	ST	Perazzi Stock & Forend Tool	52.00
5105	Safety	124.00	5207	Ejector Lock	20.00	SOCK2	Custom Gun Socks w. Perazzi Logo	30.00
5106	Link, Trigger Release	59.00	5208	Ejector Retainer Pin	8.00	Pliers	Limited supply for TM Coils	75.00
5107	Lock Trigger Plate	49.00	5212	Front Sight, Ivory, Genuine Perazzi	20.00	INST	Flash/Thumb Drive of all Instructions	40.00
5108	Top Lever Lock Release Pin	18.09	5304	Forearm Latch	18.00			
5109	Replaced by 133 on older MX	21.00	5305	Forearm Opening Button Rod Spring	6.00			
5110	Right Ejector Trip Rod	49.00	5307	Cocking Bar Cam	54.00			
5111	Top Lever Locking Piece	70.00	5309	Ejector Button Latch Spring	8.00		I carry nearly ALL TM parts.	
5112	Cocking Bar	141.00	5311	Forearm Pin – Cocking Cam	16.00		If you do not see it listed here, I probably	
5113	Firing Pin	67.00	5312	Forearm Pin – Long Pin	6.00		have it in inventory, and if out, I Perazzi	
5116	Safety Spring	30.00	5313	Ejector Release Plate Plunger	8.00		Will drop-ship for me.	
5117	Cocking Bar Spring, also 134	8.00	5317	Left Ejector Sear	43.00			
5118	Firing Pin Return Spring	8.00	5318	Forearm Opening Button Housing	50.00		I am Perazzi's largest parts distributors	
5119	Trigger Plate Lock Pin Spring	8.00	5319	Forearm Opening Button	55.00		and responsible for the now available TM	
5121	Top Lever Return Spring - OUTER	10.00	5320	Opening Lock Pin	10.00		parts here in the US.	
5121- 5130	Top Lever Return Spring Pair	25.00	5321	Forearm Tension Bushing (screw)	5.25			
5122	Trigger Plate Lock Cap	14.00	5322	Catch Bolt	43.00		If you need it, call. I can usually get it.	
5123	Cocking Bar Check Screw	9.75	5325	Cocking Bar Spring	8.00			
5124	Safety Spring Screw	8.00	5333	Forearm Iron Lock Bolt	10.00			
5127	Safety Pivot Link Pin	8.00	5351	Stock for TM9 – Call for current prices	CFP		All parts in stock are shipped immediately.	
5128	Lock Pin, Top Lever & Firing Pins	12.00	5357	Forend for TM9 – Call for prices	CFP		My goal is very fast shipments.	
5129	Cocking Bar Screw collar	8.00	6166	Hammer Coil Spring	13.00			
5130	Top Lever Return Spring – INNER	8.25	6193	Hammer Coil Spring Plunger	27.00			
5131	Ejector Stop Spring Guide	5.00	6352	Stock Bolt Assy, bolt, machined washer & lock	36.00		Prices Subject to change without prior	
5132	Top Lever Release Trip	21.00	9103	Top Lever	400.00		notice – Call if unsure	
5133	Ejector Stop Spring	21.00	9105	Safety	125.00			
5135	Spring Lodging Plate	29.00	9156	Trigger Blade	164.00			
5136	Spring Plate screw	43.00	9160	Left Sear	113.00			
5155	Trigger Guard (may require fitting)	133.00	28205	Ejector Spring Plunger	15.00		NO returns accepted if in an envelope	
5156	Trigger Blade	164.00	28206	Ejector Spring	9.00		Use a box or padded envelope as shipped	
5162	Hammer (coil or leaf type)	17800	119R	Trigger Plate Lock Pin	8.00			
5163	Bride	43.00	212/01	Front Sight	20.00			
5164	Cocking Foot	59.00	212/06	Middle Sight, screw in type	20.00		>>> NOTE <<<	
5169	Trigger Return Spring	8.00	524/05	Adjustable Rib Tab 7x7	35.00		RETURNS NOT ACCEPTED AFTER	
5171	Connector Pin	11.00	524/06	Adjustable Rib Tab 11x11	35.00		30 DAYS FROM INVOICE SHIP DATE	
5175	Sear Retainer Pin	11.00	525/01	Spring for Adjustable Rib Tab	9.00		NO REFUNDS ON SHIPPING CHARGES	

I specialize in shipping Perazzi parts all over the world. Canadian shipping via USPS is normally a bit higher. All packages are shipped insured with deliver tracking through USPS. If you provide an email address, you will receive tracking information. I ship extremely fast. If you order on Saturday, I can usually have it in your hands on Monday. I do not ship using customer's shipping accounts, sorry. Check my website (listed above) for current pricing - Perazzi prices fluctuate often. I have been servicing Perazzi shotguns and triggers for over 40 years. All packages shipped insured w/ delivery confirmation. I believe in EXTREMELY FAST SERVICE. If I have it, it ships within 24 hours. Being a shooter myself I realize that time is of the essence. Absolutely NO RETURNS accepted for any electronic media. Check my website (listed above) for current pricing – but be aware that Perazzi prices fluctuate. I have been a AA-27 yarder for 40 years. Checks may require clearing prior to shipping. ***EVEN IF NOT LISTED, I PROBABLY HAVE THE PARTS IN STOCK. IF YOU NEED IT I'LL GET IT FOR YOU!*** I try to keep a high number of Perazzi parts in stock at all times. If I miss your call, leave me a message and I always make a point of returning ALL calls.  
C:\...PerazziPrice Lists\TM Parts.DOC/PDF

# TM1 - TMX



Compliments from: Jim White  
 S&W SUPPLY LLC  
 5308 Timberline Trail - Rapid City SD 57702-1804  
 Voice & V/M: (605) 341-4412 - [perazzi@swwsupply.com](mailto:perazzi@swwsupply.com)  
 Website: [www.swwsupply.com](http://www.swwsupply.com)

